

HRV10 Q Plus

Highly energy efficient Heat Recovery Ventilation unit



For use in medium to large sized dwellings

The recently developed HRV10 Q Plus continuously running whole house ventilation unit with heat recovery has been specifically designed to give improved performance over older models, in line with new build design requirements.

The unit is independently tested by the BRE and is EST Best Practice compliant.

The combination of extremely low power consumption and a highly efficient heat exchanger is specifically designed to enhance SAP performance via Appendix Q and can be incorporated into larger apartments or medium to large sized dwellings.

The HRV10 Q Plus has many new features and is available in three model options, two of which include Summer Bypass.



HRV10M Q Plus

Features & Benefits

- **Extremely low power consumption / specific fan power, down to 0.48 W/l/s**
- **Highly efficient heat exchanger; up to 92%**
- **Lightweight EPP construction giving high levels of thermal insulation**
- **Can be fitted in service cupboards or loft spaces**
- **Three versions available (dimensions not affected): 'Standard', 'Summer Bypass and Duct Heater Connection', or 'Summer Bypass c/w SUMMERboost and Duct Heater Connection'**
- **Standard version has Summer Mode feature to help reduce dwelling overheating**
- **Intelligent controller, quick and easy to commission**
- **Fully adjustable boost overrun timer 0-60 minutes; can be used with non-latching (momentary) switches to prevent unit from being accidentally left in boost mode**
- **Accepts 150mm or 125mm diameter ducting**
- **EPP moulded 150-125mm low resistance insulated port adaptors included as standard**
- **Intelligent frost protection, stepped reduction of supply rates prevents freezing**
- **Setback option for unoccupied periods**
- **Lightweight for easy handling**
- **Demand Control Ventilation ready**
- **Volt free switching control**
- **Pleated G4 filters as standard. F7 on request (Standard unit only)**
- **Metal cased version available (HRV10M Q Plus)**
- **Quick fix via mounting bracket**
- **Patented features**

Description

Titon HRV10 Q Plus whole house central mechanical supply and extract unit with heat exchanger

Product codes

HRV10 Q Plus – **TP440A**

HRV10M Q Plus – **TP441A**

G4 Filter Set – **XP44022/099**

HRV10 Q Plus with Summer Bypass & Duct Heater Connection – **TP440ABD**

HRV10M Q Plus with Summer Bypass &

Duct Heater Connection – **TP441ABD**

HRV10 Q Plus with SUMMERboost, Summer Bypass & Duct Heater

Connection – **TP440ABS**

HRV10M Q Plus with SUMMERboost, Summer Bypass & Duct Heater

Connection – **TP441ABS**

G4 Bypass Filter Set – **XP44023/099**

Standards

Conforms to requirements of UK statutory Building Regulations and Technical Standards for Ventilation and BRE 398. SAP Appendix Q tested (www.sap-appendixq.org.uk).

Exceeds requirements of Building Regulations Approved Document L (England & Wales).

EU RoHS Directive compliant.

Conforms to requirements of EC council directives relating to Electromagnetic Compatibility and Electrical Safety:

2006/95/EC (LVD), 2004/108/EC (EMC) EN 60335-1:2002/A2:2006, EN 60335-2-80:2003/A1:2004. CE Marked.

Other non-UK info available on request.

Specification

Dimensions: HRV10 Q Plus - 790mm wide x 665mm high (excluding ports) x 485mm deep (495mm with mounting bracket). HRV10M Q Plus 800mm wide x 675mm high (excluding ports) x 495mm deep (505mm with mounting bracket)

Weight: HRV10 Q Plus – 17.5kg, HRV10M Q Plus – 31kg

Finish: HRV10 Q Plus – Black EPP, HRV10M Q Plus – White Paint

Materials: Expanded polypropylene (EPP), Heat Exchanger – Polystyrene, Internal Insulation – Closed cell foamed, Nitrile rubber, class 'O' fire rating, Standard filters: Grade G4 pleated panel filters. NB: Except HRV10M Q Plus Housing – Zintec sheet steel, powder coated.

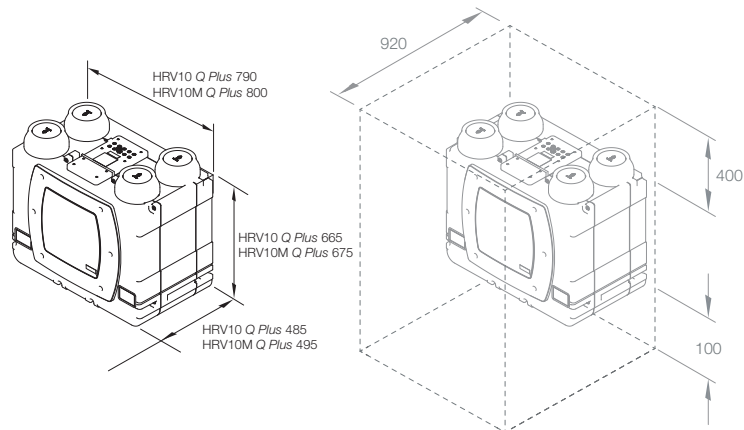
Guarantee period: 3 years (UK only)

Electrical: 230V ~ 50/60Hz, 3A fuse

Installation: Install in accordance with Good Practice, such as the Domestic Ventilation Compliance Guide (England & Wales) and the Residential Ventilation Association recommendations.

Maintenance: Service and filter clean/replacement subject to local environment - see Product Manual.

Details



Performance

The figures and compliance levels below relate to current SAP requirements. Revised SAP guidance will have an effect on performance and up to date figures can be found on the relevant product page at www.titon.co.uk

Exhaust terminal configuration*	Fan speed setting	Specific fan power (W/l/s)	Heat exchange efficiency (%)	Energy Saving Trust Best Practice Performance Compliant
Kitchen + 1 additional wet room	100% variable	0.52	92	Yes
Kitchen + 2 additional wet rooms	100% variable	0.48	92	Yes
Kitchen + 3 additional wet rooms	100% variable	0.51	92	Yes
Kitchen + 4 additional wet rooms	100% variable	0.55	91	Yes
Kitchen + 5 additional wet rooms	100% variable	0.62	91	Yes
Kitchen + 6 additional wet rooms	100% variable	0.74	90	Yes
Kitchen + 7 additional wet rooms	100% variable	0.87	89	Yes

Figures taken from the BRE Test Results

*Number of wet rooms is based on SAP Q test criteria and does not correlate directly with regulatory performance requirements

Noise Performance - details on request

Nominal fan performance

